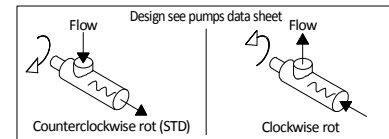
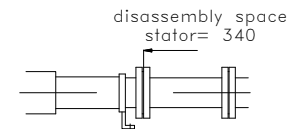
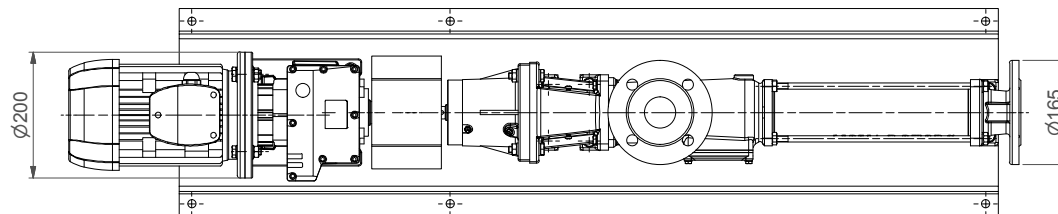
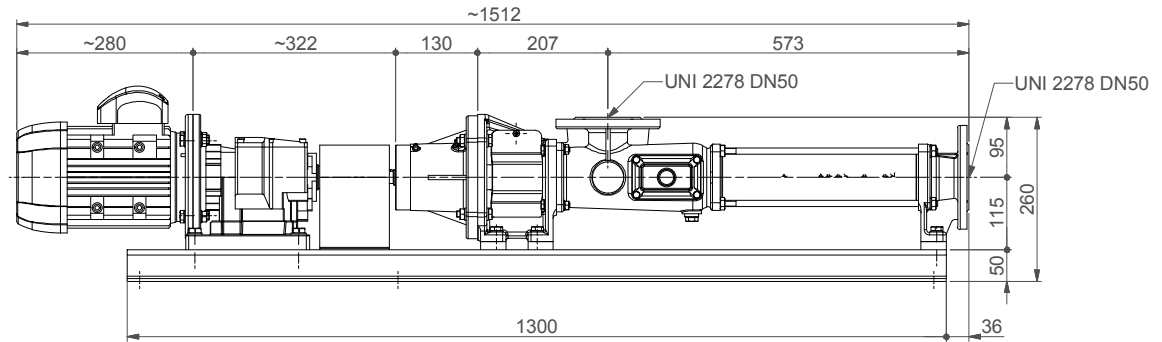
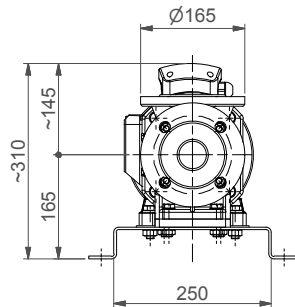
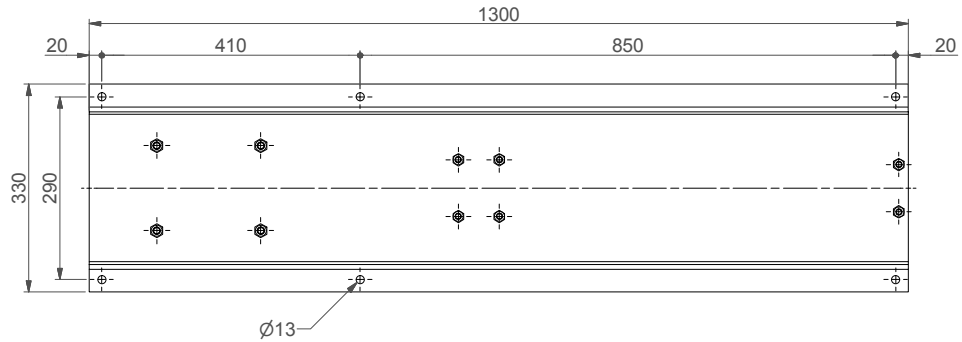


# C.W.M. S.R.L.



Replacement for: .

Typew Nr.: **MG50-1**

Denomination:

Dimensional Drawing

Replacement by:

Drawn: LG

Date: 28/09/12

Check: MDM

Date: 28/07/2015

Scale: 1:12



Weight: 84 kg

Sheet 1 of 1

General Tolerances ISO 2768-v  
Geometrical tolerance and roughness ISO 1302